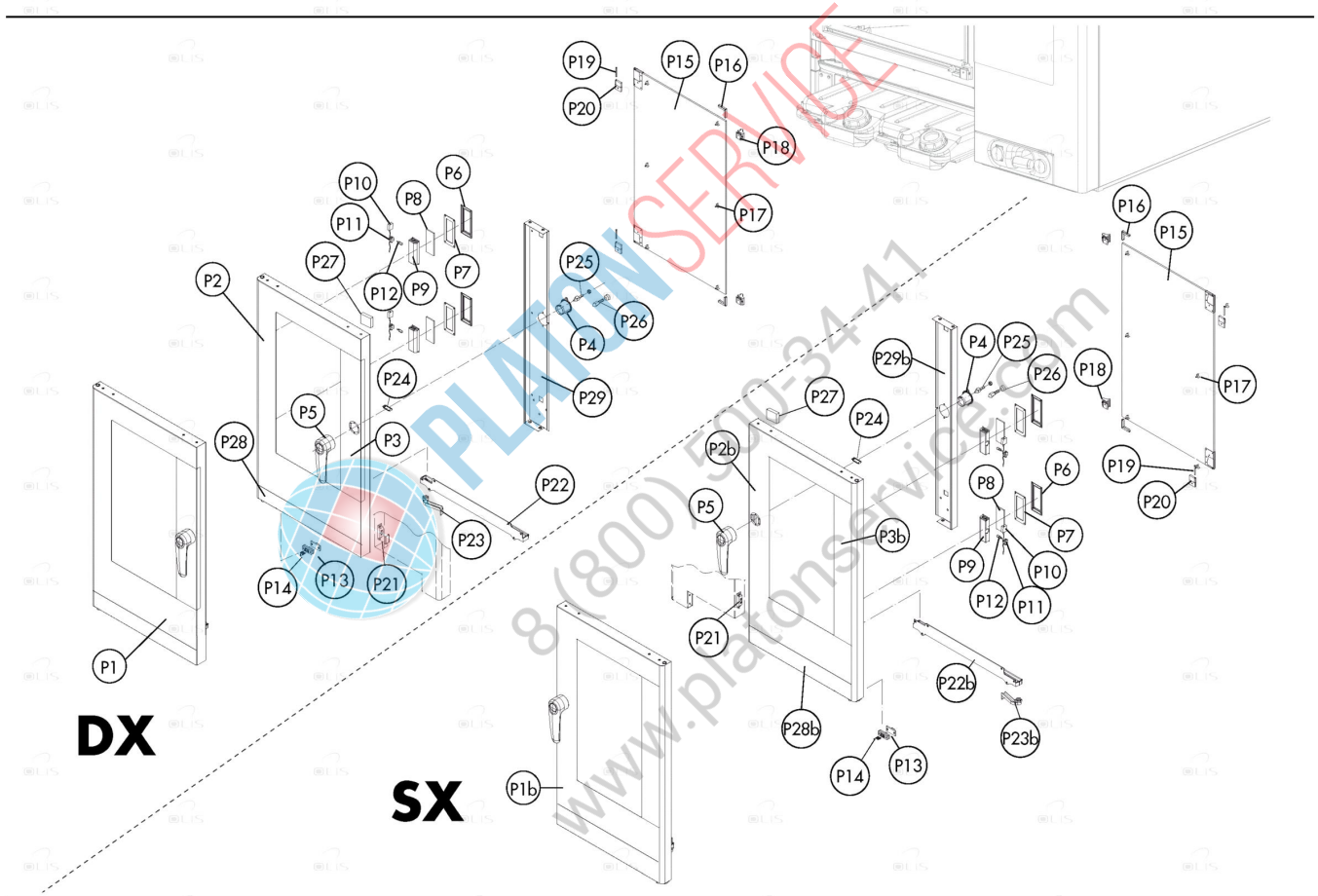


Pos	Code	Description
0001	LAR65040600	MOTOR [C] 220/240V 0,25KW ONE SPEED
0001	LAR65041300	MOTOR [C] 230V 50/60HZ 0,25KW ONE SPEED
0002	LA58003870	COUNTER FLANGE [C]
0003	LA70020040	GASKET [C]
0004	LA58003860	FLANGE [C] GASKET
0005	LA75400570	FAN [C] D.240X80/6 P.D. 50HZ . K_081 T07
0006	LA61400052	WASHER [C] D. 10,5X21X2
0007	LA70030200	GASKET [C] HEATING ELEMENTS
0008	LAR65011930	HEATING ELEMENT [C] 10000W 230V
0008	LAR65011940	HEATING ELEMENT [C] 10000W 208V
0008	LAR65011970	HEATING ELEMENT [C] 10000W 277V D.8,5
0009	LA70010370	GASKET [C]
0010	LA69150110	CAP [C]
0011	LA70050140	GASKET CAP BOILER
0012	BN2519490	KNOB GASKET V-SEALVA40/NBR
0013	LAR58006690	CAP [C] SERIE 2014
0014	LAR14216700N	BOILER C/CALOUT NA-SAEB071 AISI 316
0015	LAR58004040	INOX NUT [C] 3/4X8 M/106-120
0016	LA65320010	LEVEL PROBE [C]
0017	LA65020310	HEATING ELEMENT [C] 7500W 208V BOILER ME/106-110
0017	LA65020340	HEATING ELEMENT [C] 7500W 277V BOILER
0017	LA65020350	HEATING ELEMENT [C] 7500W 230V BOILER ME/105-106
0018	LAR65110571	VALVE [C] 230V
0019	LA62080093	JOINT [C]
0020	LA65324550	LEVEL PROBE [C]
0021	LA62090918	INTERMEDIATE CURVED CONNECTOR D.10
0022	LA80150060	PIPE [C] PEX-B D. 10MM L.100M
0023	LA62090528	CURVED CONNECTOR [C] 10X10
0024	LAR65110210	SOLENOID VALVE [C] 220V 50HZ 2 OUTLETS JG CONNECTION
0024	LAR65110330	SOLENOID VALVE [C] 230V 50/60HZ 2 OUTLET JG CONNECTION D. 10
0024	LAR65110770	ELECTRO VALVE [C] 230V 50/60HZ 2 WAYS OUT J.G. D.10 UL
0025	LA62090798	STRAIGHT REDUCTION [C] D. 8-6
0026	LA80150020	TRANSPARENT POLIURETHANE PIPE [C] D. 8X6MM
0027	LA65110630	SUPPORT [C] PUMP
0028	LAR65110620	PUMP [C] 230V 50HZ
0029	LA80150020	TRANSPARENT POLIURETHANE PIPE [C] D. 8X6MM
0030	LA62090878	INTERMEDIATE STRAIGHT CONNECTOR [C] D. 8
0031	LAR11200650	ASS.PROL.SPRUZZATORE M/061
0032	LA14219610	PIPE [C] CONNECTOR HUMIDIFIER N/S_071 2017
0033	LA62090908	INTERMEDIATE STRAIGHT CONNECTOR [C] D. 10 SPEEDFIT
0034	LA80150060	PIPE [C] PEX-B D. 10MM L.100M
0035	LAR65320220	PROBE [C] K L. 1,5M
0036	LA62070023	BICONE [C] D. 6
0037	LA62060223	NUT [C] D. 6
0038	LAR65095000	RELEASE MOTOR [C] COMPLETE - 1 CAM
0039	LAR14170570	PIPE [C] MOTORIZED VENT N/S071 T07
0040	LAR70030180	GRAPHITE GASKETS KIT [C] 80x50,3x3 SET 5 PIECES

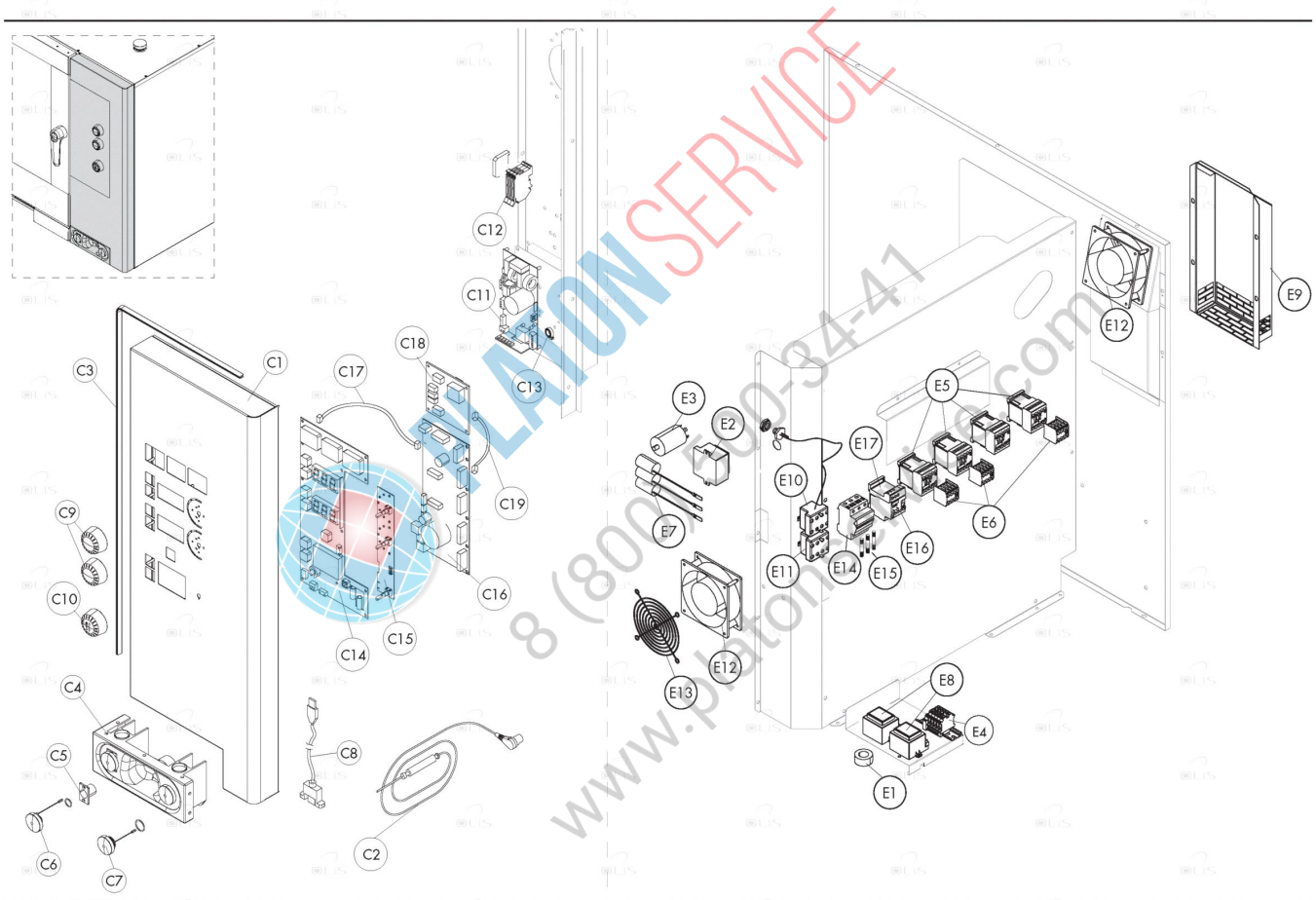
Pos	Code	Description
0041	LAR14201030	DEFLECTOR [C] N/S071 2014
0042	LA75300050	PLATE [C] FAN D. 270 N/S071 2014
0043	LAR58003110	PIN [C] DEFLECTOR CLAMPING
0044	LA14402130	HINGE [C]
0045	LA58000370	PIN [C] UPPER HINGE
0046	LA58004050	NUT [C]
0047	LA11207240	LOWER HINGE KIT [C] M-V/061-101-102 2005
0048	LA58002670	LOWER PIN [C] HINGE SR 2005
0049	LA58000360	NUT [C]
0050	LA70048002	GASKET [C] DOOR T07 2016
0051	LAR69180210	DRAIN CONTAINER [C] N/S071-101 2014
0052	LA69180250	FILTER [C] CONTAINER DRAIN
0053	LA14443100	RACK [C] GN N/S 071 7 LEVELS
0054	LAR10201710	AIR FILTER [C] DRAIN M/210-12 D.86/44,5
0055	LAR70030180	GRAPHITE GASKETS KIT [C] 80x50,3x3 SET 5 PIECES
0056	LA70060040	SILICONE COUPLING [C] D. INNER 51 D. EXTERIOR 59
0057	LA70060080	SILICONE COUPLING [C] D. 13X18X80
0058	LAR69180120	BOX [C] DRAIN PIPE G/MV T06-T10-T21
0059	LA58006160	NOZZLE [C] D. 0,80
0060	LA62090633	CURVED CONNECTOR [C] 10/10
0061	LA70050150	GASKET [C] BOILER CAP
0062	LA69150100	CAP [C]
0063	LA61630031	ZINC CLAMP [C]
0064	LA62280038	CURVE [C]
0065	LAR65240030	FAIRLEAD [C]



8 (800) 500-34-41
www.platonservice.com

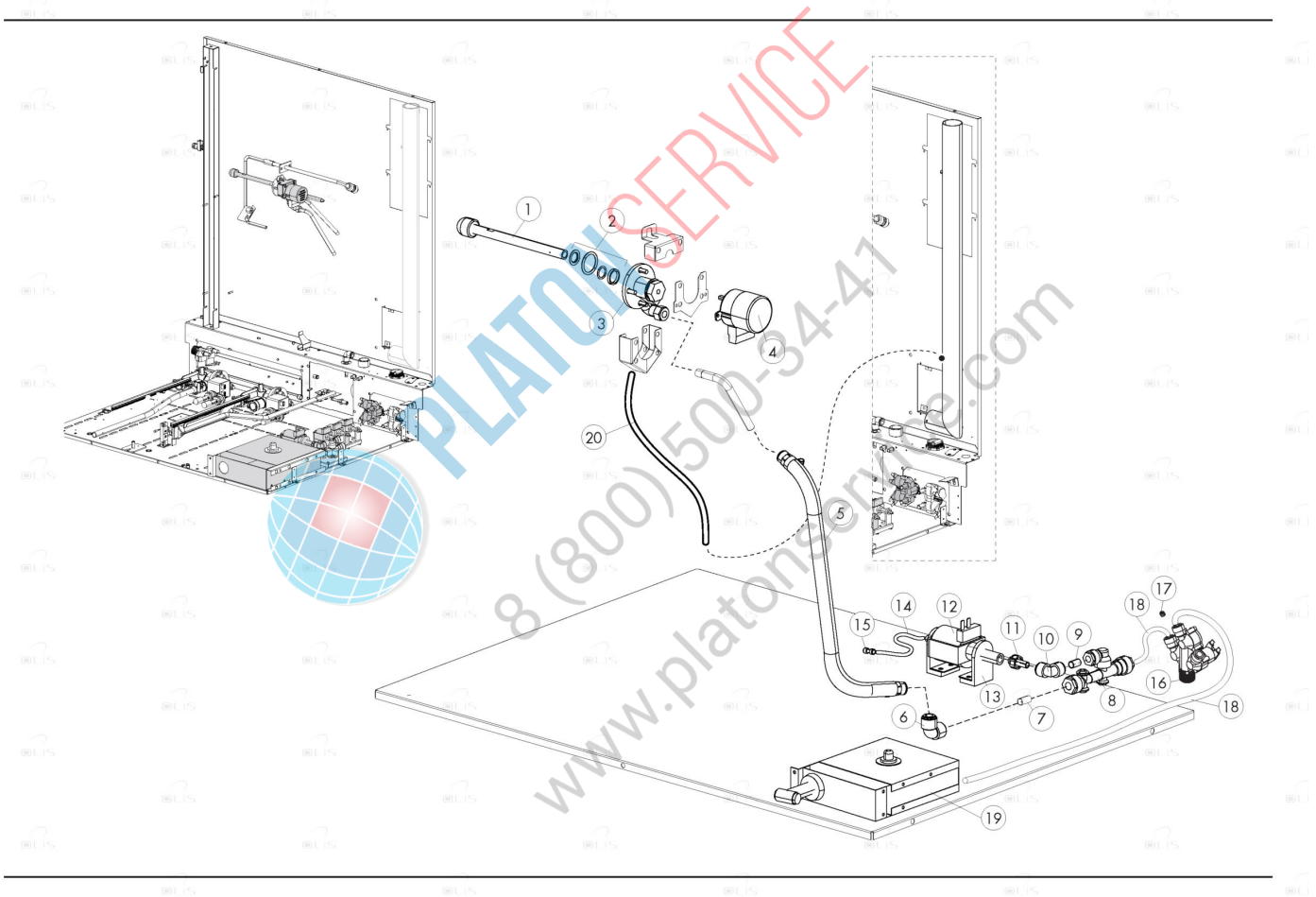


Pos	Code	Description
00P1	LAR14184300	PORTA COMPLETA SA_071 C/TANICHE LED PORTA COMPLETA SA_071 C/TANICHE LED
00P2	LAR14203660H	PORTA ESTERNA SA_071 C/TANICHE LED
00P3	LA67016811	RIVESTIMENTO PORTA C/MAN. SA_071R-072R
00P4	LAR69010630	COVERING [C] GROUP 6303 CLOSING
00P5	LA69010190	LOCK [C] 6303 N/S2014
00P6	LA11401450	FLANGE [C] BULB GLASS
00P6	LA65270590	LED LAMP L=130MM 12V DC [C]
00P7	LA65270590	LED LAMP L=130MM 12V DC [C]
00P7	LA70044200	GASKET [C] BULB GLASS P2000
00P8	LA65270590	LED LAMP L=130MM 12V DC [C]
00P8	LA71500150	GLASS PLATE [C]
00P9	LA11401440	LAMP COVER [C]
00P9	LA65270590	LED LAMP L=130MM 12V DC [C]
0P10	LA66110310	DOOR LIGHTS CABLE SET [C] M-V/061
0P10	LA66115800	CABLAGGIO LUCI PORTA M-V/061 .
0P11	LA65270450	LAMP HOLDER [C]
0P11	LA65270590	LED LAMP L=130MM 12V DC [C]
0P12	LA65270020	BULB [C] 12V 20W G4
0P12	LA65270590	LED LAMP L=130MM 12V DC [C]
0P13	LAR65260752	LIGHT CONTACT [C] SR.2014 - FLOOR OVEN
0P14	LA61600031	GASKET [C] D. 3,2
0P15	LAR71202210	GLASS PLATE [C]
0P15	LAR71202210A	GLASS PANEL [C] REAR 494*590*6 REVERSAL DOOR
0P16	LA11423460	PROTECTION [C] DOOR GLASS K E T 2011
0P17	LAR70050180	SPACER [C] GLASS PLATE 15X8
0P18	LAR17406230	GLASS BLOCK [C]
0P18	LAR58001780	FERMO VETRO PORTA P2000
0P19	LA58001770	PIN [C] GLASS HINGE SR2000
0P1b	LAR14172770	PORTA CONTR.COMPLETA SA_071 C/TANICHE PORTA CONTR.COMPLETA SA_071 C/TANICHE
0P1b	LAR14184330	PORTA CONTR.COMPLETA SA_071 C/TAN LED PORTA CONTR.COMPLETA SA_071 C/TAN LED
0P20	LA58001760	HINGE [C]
0P21	LAR65265100	MICROSWITCH [C] DOOR
0P22	LAR69180220	DOOR CONTAINER [C] N/S071-101 2014
0P23	LA69180011	WATER DRAIN [C] CONTAINER
0P24	LA61620132	SPRING [C] PRONG HOOK
0P25	LA69010260	PRONG [C]
0P26	LAR69010270	DOOR LATCH 2 STEP [C]
0P27	LA11420660	FLANGE [C]
0P29	LAR14408140	MON.DX INT.PORTA N/S071-072 C/TAN.C/CLIP
0P2b	LAR14204080B	PORTA ESTERNA CONTRARIA SA_071 C/TANICHE
0P2b	LAR14204080H	PORTA ESTERNA CONTRARIA SA_071 C/TAN LED
0P3b	LA67017211	RIVESTIMENTO PORTA S/MAN. SA_071R-072R
P22b	LAR14202061	TRAY [C] LH DOOR N/S071-101 2014
P23b	LA11202240	WATER DRAIN [C] CONTAINER SR2000



Pos	Code	Description
00C1	LAR14220110A	CONTROL PANEL [C] + KEYBOARD SA_071R LAINOX
00C2	LA65321102	SONDA AL CUORE K 4 PUNTI 6 PIN.IMP.2012
00C3	LAR80100101	PROFILO GUARNIZIONE NERO 2CRISTALLI 5M
00C4	LA14402530	CONNECTIONS FRAME [C]
00C5	LA65321360	F-CONNECTOR [C] FOR CORE PROBE L. 1000
00C6	LA65321330	CAP [C] N/S 2014
00C7	LA65321310	CAP [C] USB SOCKET
00C8	LA65302600	CONNECTING CABLE [C] BOARD/USB OUTLET L. 850
00C9	LA69030380	ENCODER [C] KNOB D. 46
00E1	LA65280490	TOROIDAL FERRITE [C] FT36
00E2	LA65450211	INDUCTOR [C] 27 mH 8A
00E3	LA65280230	AIR FILTER [C]
00E4	LA65220091	TERMINAL BLOCK [C]
00E5	LA65140900	CONTACTOR [C]
00E6	LA65140930	CONTACT [C] 1L+1R 3RH2911-1HA11
00E8	LA65180420	TRANSFORMER [C] 20VA 0-220-240/12V
00E8	LA65187260	BALLAST [C] LED APV-12-12
00E9	LA14424581	OUTER BOX AIR CONVEYOR
0C10	LA69030400	ENCODER [C] KNOB D. 46 W/LOGO
0C11	LAR65140090	INVERTER [C] 0,8KW UL
0C11	LAR65140100	INVERTER 0,8 KW
0C12	LA65210020	FUSE CARRIER [C] 5X20
0C13	LA65280480	FERRITE [C]
0C14	LA65302990	KEYBOARD BOARD [C] VERTICAL 2 RELOADED
0C15	LA65303010	ENCODER BOARD [C] VERTICAL S RELOADED
0C16	LA65302980	MAIN BOARD [C] S RELOADED
0C17	LA65303230	CAVO COLLEG.BASE-TASTIERA L=600
0C18	LA65302260	EXPANSION BOAD [C] S 2009
0E10	LA65070350	THERMOSTAT [C] 360Â°C-25K
0E10	LA65070370	THERMOSTAT [C] 360Â°C
0E11	LA65070380	THERMOSTAT [C] 150Â°C
0E11	LAR65070081	SECUR. THERMOSTAT 5532522852
0E12	LA65060050	FAN [R] D. 120 4715MS 23T
0E13	LAR75300020	PLATE [C] FAN D. 120

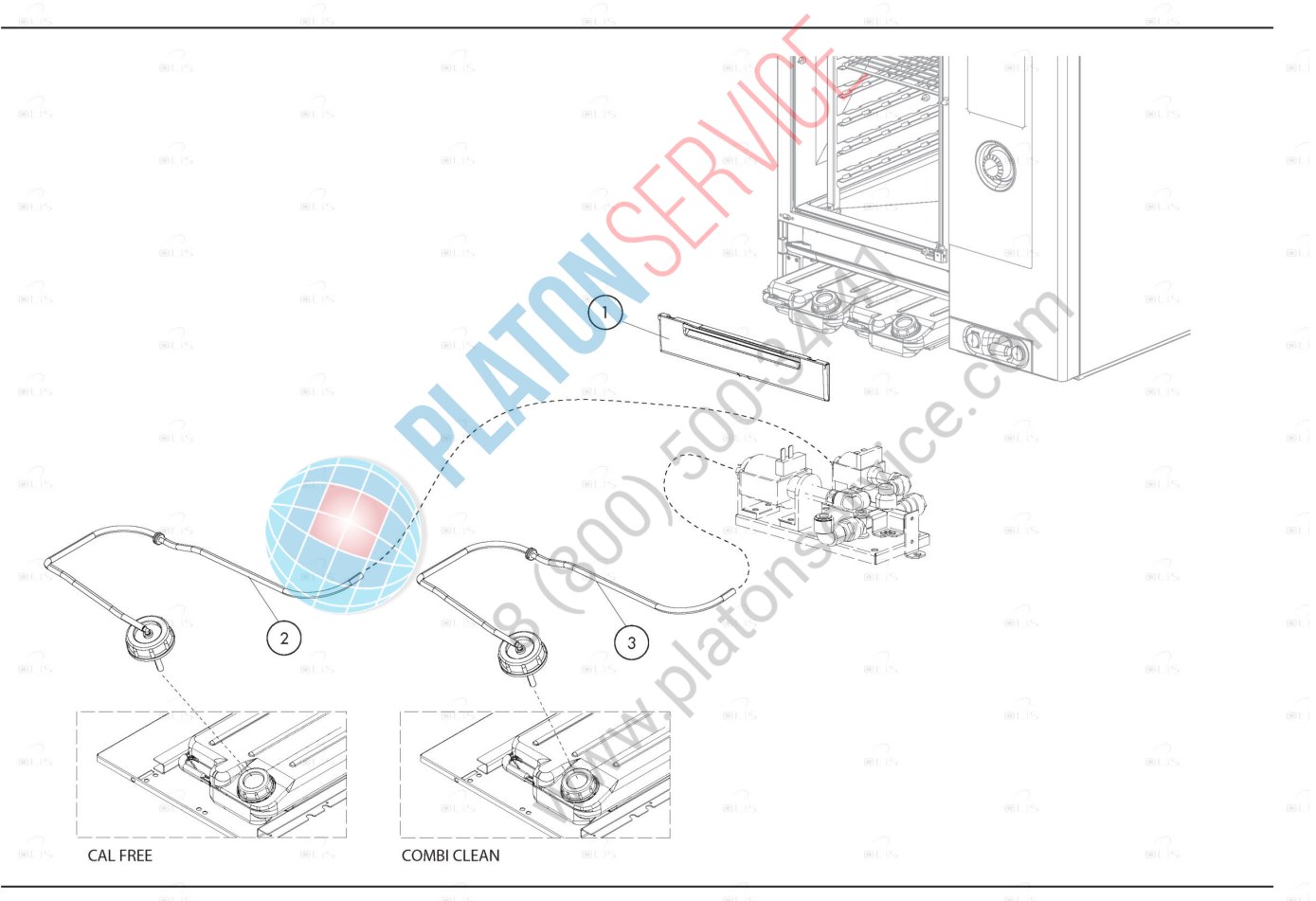




Pos	Code	Description
0001	LAR58007420	WASHING HEAD [C]
0002	LAR70045120	GASKET
0003	LAR58007020	FLANGE [C] MOB WASHING
0004	LA65090260	GEARMOTOR [C]
0005	LA14170300	KIT DETERGENT WASHING PIPE [C] N/S071-101-072-102
0006	LA62090478	INTERMEDIATE CURVED CONNECTOR [C] D. 10
0007	LA80150000	LIGHT BLUE POLYETHYL PIPE D. 10X7MM
0008	LA62090888	MANIFOLD [C]
0009	LA80150020	TRANSPARENT POLIURETHANE PIPE [C] D. 8X6MM
0010	LA62090498	INTERMEDIATE CURVED CONNECTOR [C] D. 8
0011	LA62090608	END SIDE PIPE [C]
0012	LAR65110600	PUMP [C] WITH OSCILLATING PISTON
0013	LA65110610	PUMP SUPPORT [C] ET500/8
0014	LA80150020	TRANSPARENT POLIURETHANE PIPE [C] D. 8X6MM
0015	LA62090878	INTERMEDIATE STRAIGHT CONNECTOR [C] D. 8
0016	LAR65110240	SOLENOID VALVE [C] 220V 50HZ 3 OUTLETS JG CONNECTION
0016	LAR65110360	SOLENOID VALVE [C] 230V 50/60HZ 3 OUTLETS JG CONNECTION D. 10
0016	LAR65110790	SOLENOID VALVE [C] 230V 50/60HZ
0018	LA80150000	LIGHT BLUE POLYETHYL PIPE D. 10X7MM
0019	LA62200172	SHOWER HEAD [C] N071/101/072/102 2014
0020	LA80120060	TRANSPARENT SILICONE PIPE [C] SR60/TR 7/12



PLATON SERVICE
8 (800) 500-4411
www.platonservice.com



Pos	Code	Description
0002	LA14171811	PIPE [C] DECALCIFER TANK N/S071
0003	LA14171801	KIT DETERGENT WASHING PIPE [C] N/S071



PLATON SERVICE

8 (800) 500-34-41

www.platonservice.com